

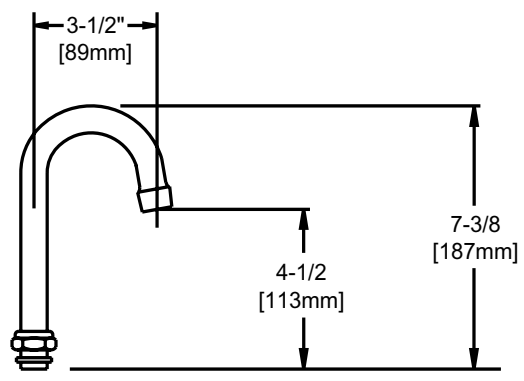
JOB NAME:

QUANTITY:

ITEM NO.:


PRODUCT NAME:
9" SWIVEL GOOSENECK

MODEL:
 28223 9" SWIVEL GOOSENECK



SYSTEM LIMITS
 TEMP: 40 F MIN TO 140 F MAX
 PRESSURE 200 PSI MAX STATIC
 2.20 GPM AT 80 PSI

SHIPPING WEIGHT
 * 1.0 LBS

 ANSI/A112.18.1M

Distributed by Fisher Manufacturing Company
 P.O. Box 60 Tulare, CA 93725-0060
 Phone 800-421-6162 FAX 800-8-FAUCET (800-832-8238)